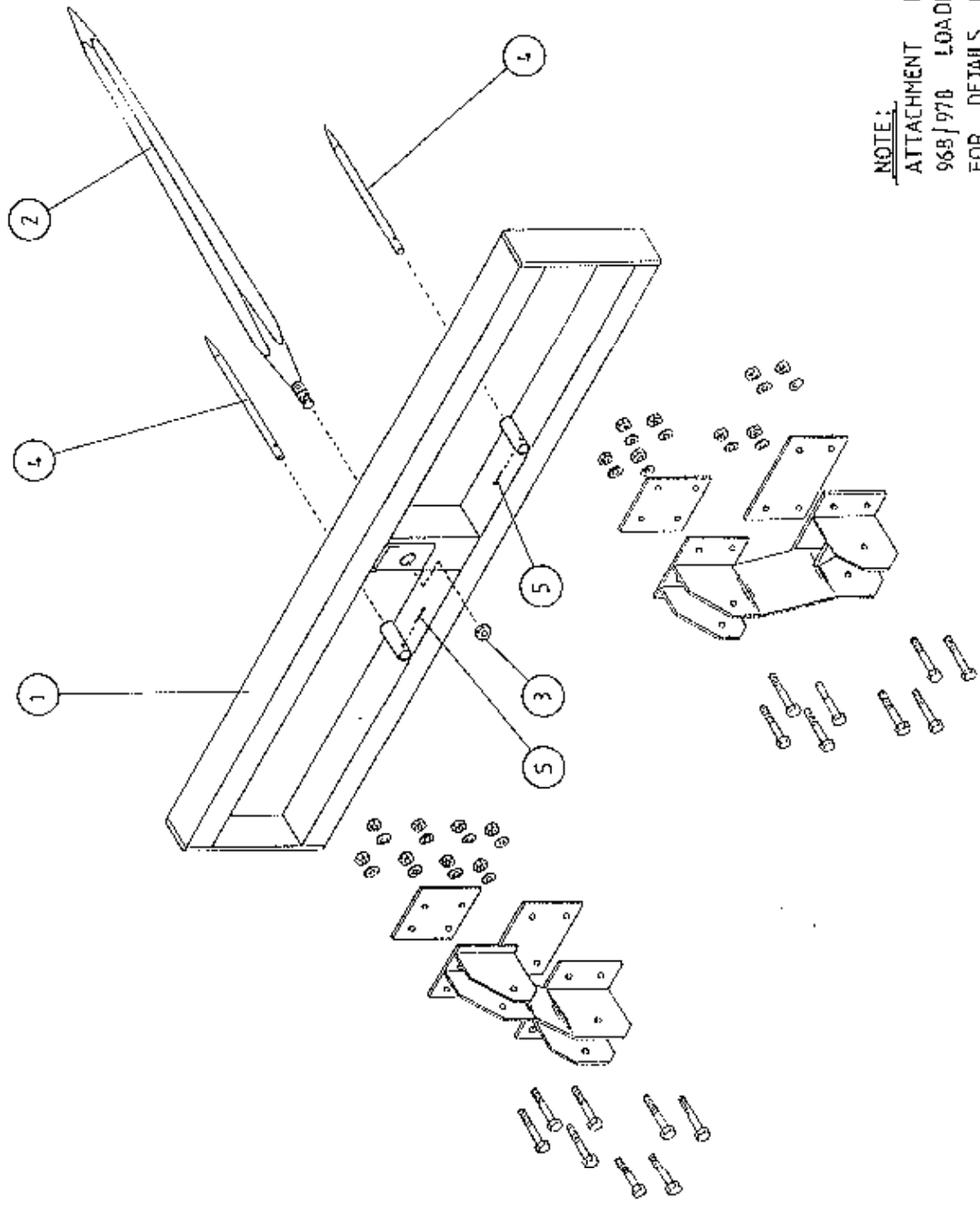


TANCO FRONT BALE SPEAR
PARTS LIST
WD392-M0792

FRONT MOUNTING BIG BALE SPEAR



NOTE:
ATTACHMENT BRACKETS SHOWN ARE FOR TANCOS
968/970 LOADER.
FOR DETAILS OF OTHER ATTACHMENT BRACKETS
SEE BRACKET FITTING INSTRUCTIONS/SPARE
PARTS LIST.

TANCO FRONT MOUNTING
 BIG BALE SPEAR
 PARTS LIST

ITEM	DESCRIPTION	QTY	PART NO.
1	MAIN FRAME ASSY.	1	WDS92-MF
2	SQUARE TINE 1M LONG	1	Z001-27
3	TINE NUT	1	Z001-241
4	SIDE TINES	2	Z001-25
5	SPLIT FINS 1/4" DIA. x 2" LONG	2	Z00-21-27

EC DECLARATION OF CONFORMITY

ACCORDING TO DIRECTIVES 89/392/336/EEC AS AMENDED.

Manufacturer:

TANCO ENGINEERING CO LTD
BAGENALSTOWN
CO CARLOW
IRELAND

CERTIFIES THAT THE FOLLOWING PRODUCT:

BALE HANDLING EQUIPMENT

MODEL: REAR BALE SPEAR
SERIAL NO.: 14900 - 30000

To which this declaration relates, corresponds to the essential requirements of the Directive 89/392/336/EEC as amended.

To conform to these essential health and safety requirements, the provisions of the following harmonised standards were particularly considered:

EN 292 - 1,2, EN 294, EN 1152, prEN 703, prEN 811, prEN 1553, prEN 982.

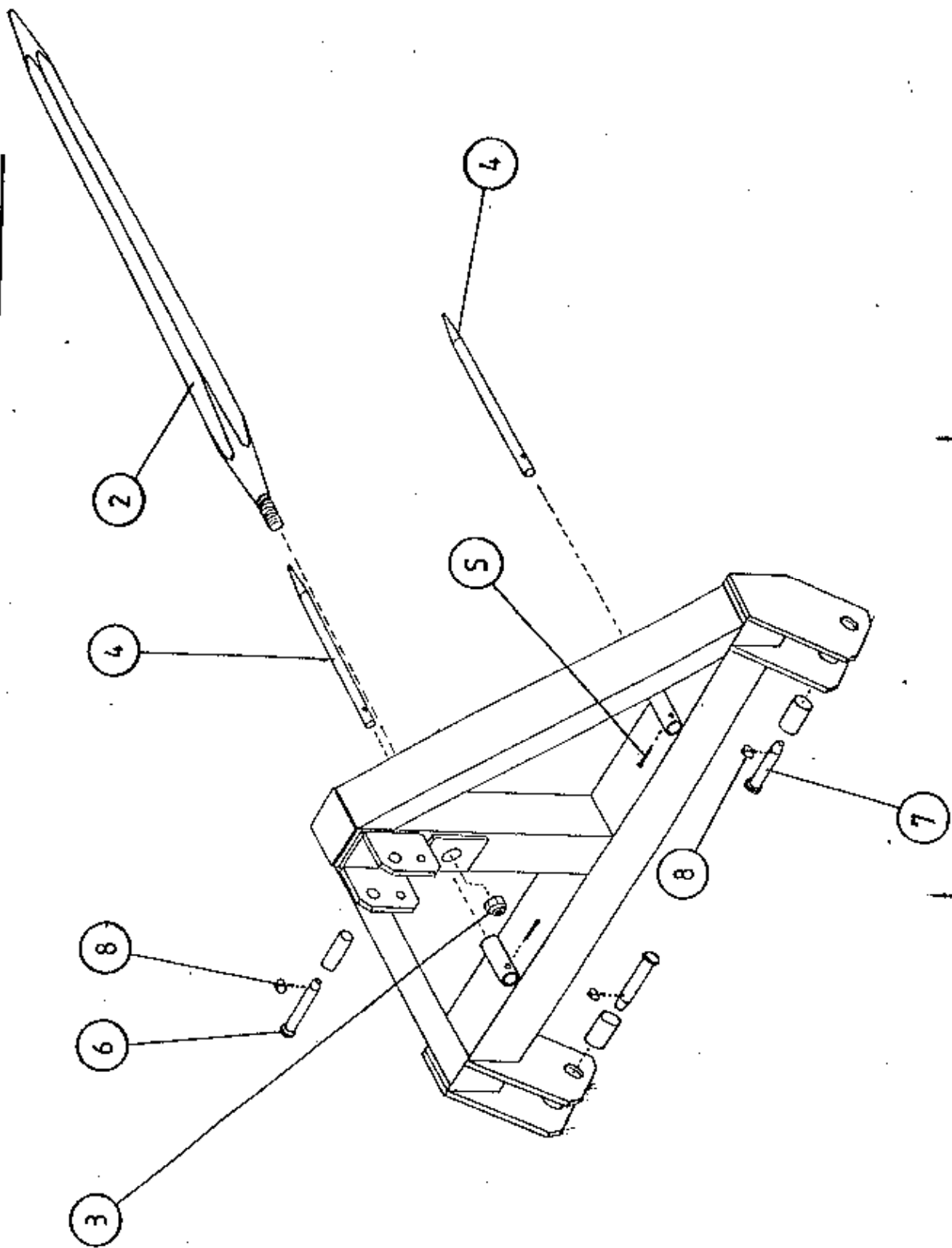
DATE: 14/10/98

SIGNATURE:


TOMMY AGARS
TECHNICAL MANAGER

TANCO REAR BALE SPEAR
PARTS LIST
WD393-M0792

JANCO BIG BALE SPEAR FOR 3 POINT LINKAGE



TANCO 3 FT. LINKAGE

BIG BALE SPEAR
PARTS LIST

ITEM	DESCRIPTION	QTY	PART NO.
1	MAIN FRAME ASSY.	1	D793
2	SQUARE TINE 1/4 LONG	1	Z03-01-07
3	TINE NUT	1	Z03-01-24
4	SIDE TINES	2	Z03-01-28
5	SPLIT PINS 1/4" DIA. * 2" LONG	2	Z03-01-29
6	3/4" DIA. PIN C/W SLEEVE	1	Z03-04-73
7	7/8" DIA. PIN C/W SLEEVE	2	Z03-04-54
8	7/16" LICH TONE	3	Z03-01-01

EC DECLARATION OF CONFORMITY

ACCORDING TO DIRECTIVES 89/392/336/EEC AS AMENDED.

Manufacturer:

TANCO ENGINEERING CO LTD
BAGENALSTOWN
CO CARLOW
IRELAND

CERTIFIES THAT THE FOLLOWING PRODUCT:

BALE HANDLING EQUIPMENT

MODEL: FRONT BALE SPEAR

SERIAL NO.: 14900 - 30000

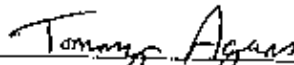
To which this declaration relates, corresponds to the essential requirements of the Directive 89/392/336/EEC as amended.

To conform to these essential health and safety requirements, the provisions of the following harmonised standards were particularly considered:

EN 292 - 1,2, EN 294, EN 1152, prEN 703, prEN 811, prEN 1553, prEN 982.

DATE: 14/10/98

SIGNATURE:



TOMMY AGARS
TECHNICAL MANAGER